

Number	Part Number	Name	Quantity
1	25953	RH SEAT GUIDE	1,000
1	22029	FLAT WASHER 6,5	1,000
2	25959	LH SEAT GUIDE	1,000
3	71069	BOLT DIN 603	1,000
4	25956	YOKE	1,000
5	37561	NUT	1,000
8	71201	NUT M6	1,000
10	25149	MUD FLAP HYD.L.GREE	1,000
11	25750	ENGINE DECK WHITE	1,000
13	71205	SCREW M8	1,000
14	25957	SEAT HINGE SHAFT	1,000
15	71036	DIN 471 14X1 EXT. C	1,000
17	37997	SCREW HM6-16 8.8	1,000
18	71079	YOKE DIN 71751 6X34	1,000
19	25172	GAZ CYLINDER	1,000
20	25158	L. INT.CHAIN COVER	1,000
21	1557	NUT HM6	1,000
22	25950	SEAT	1,000
23	25954	SEAT SUPPORT PLATE	1,000
24	20693	HEX.SCREW HM6X25	1,000
26	25958	SEAT SPRING	1,000
27	25154	CENTREAL HOOD HYDRO	1,000
28	25159	L.UP CHAIN COVER	1,000
29	25160	R. UP.CHAIN COVER	1,000
30	71111	TAPPING SCREW,DIN 7	1,000
31	25171	L. EXT. CHAIN COVER	1,000
32	71107	TAPPING SCREW,DIN 7	1,000
34	26653	HOOD SUPPORT TUBE	1,000
35	25884	LH STEP COVERING	1,000
36	26666	L. STEP GREEN	1,000
37	25169	MUDGUARD R.HYD.GREE	1,000
38	25877	R.MUD GUARD PAD HYD	1,000
39	25753	CLAMP	1,000
40	25825	PRE-INSULATED SPADE	1,000
41	25170	R. EXT. CHAIN COVER	1,000
42	25157	R.INT. CHAIN COVER	1,000
43	71108	RECESSED HEAD SCREW	1,000
44	25887	STEP SPACER	1,000
46	5399	BOLT M5X40	1,000
47	26667	R.FOOT STAND HYD GR	1,000
48	21436	CLIPS NUT	1,000

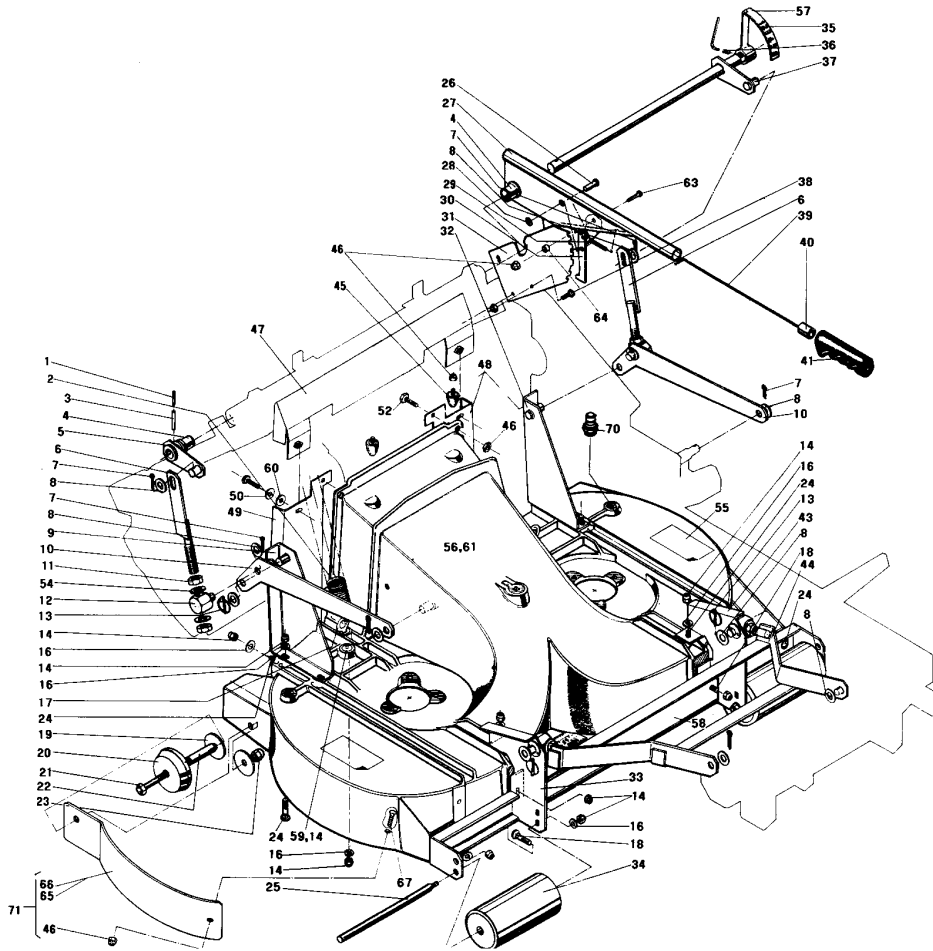
Number	Part Number	Name	Quantity
50	25156	R.FOOT REST COATING	1,000
51	71113	NAIL RIVET, DIA. 4X	1,000
52	7335	WASHER	1,000
53	71413	SCREW HM 8-20	1,000
54	25752	LOWER ENGINE COV.WH	1,000
55	25851	ENGINE HOOD GRILLE	1,000
56	71112	DIA.4X18 STAR RIVET	1,000
57	13020	STICKER	1,000
58	12005	CUTTING HEIGHT STIC	1,000
59	12048	STICKER 26*4	1,000
60	13019	STICKER	1,000
61	13012	STICKER	1,000
62	12038	LH STRIPE STICKER	1,000
63	12039	RH STRIPE STICKER	1,000
65	25907	MOUNTING BRACKET	1,000
66	25903	ENGINE HOOD SPRING	1,000
67	25879	SELF-ADHESIVE WASHE	1,000
68	25885	HEADLIGHT CASING	1,000
70	25164	CENTRE HOOD YOKE	1,000
71	25754	STRAINER HOOK	1,000
72	25166	GAZ CYLIN.SUPPORT	1,000
73	40102	PIVOT	1,000
74	71114	ALUMINUM NAIL RIVET	1,000
75	25755	BRUSH	1,000
76	71139	RIVET ALU TF 4X11	1,000
77	13040	STICKER	1,000
78	13011	ETIQUETTE HYDRO	1,000
79	25945	RUBBER STRIP 40MM	1,000
80	25946	-> 25945	1,000
81	26281	FRAME HYD. B 851	1,000
82	25961	SEAT CONTACT	1,000
83	71241	NAIL RIVET 4,8X10,5	1,000
84	12047	STICKER ETESIA	1,000
85	13064	STICKER COLER OPEN	1,000
86	25480	GREEN COLOUR STICK	1,000
87	25965	COLOR SPRAY GREEN	1,000
88	25966	COLOR SPRAY WHITE	1,000
100	25077	MVEHHL MUD FLAP RH	1,000
101	25076	MVEHHL MUD FLAP LH	1,000

Number	Part Number	Name	Quantity
1	25330	BADGE - ETESIA	1,000
2	71063	SELF-LOCKING NUT DI	1,000
3	25324	->28725+29978+25330	1,000
4	25329	PCV BELLOWS	1,000
5	71111	TAPPING SCREW,DIN 7	1,000
6	25261	PETROL GAUGE	1,000
7	25260	PETROL TANK	1,000
8	26301	PETROL TANK CLAMP	1,000
9	25844	BATTERY CLAMP ROD	1,000
10	71029	WING NUT,DIN 315 M4	1,000
11	7094	FLAT WASHER	1,000
12	25845	BATTERY ANGLE BRACK	1,000
13	25800	-> 100217	1,000
14	25167	DASH BOARD MVEHH	1,000
15	71413	SCREW HM 8-20	1,000
16	26651	CONSOLE HYDRO	1,000
17	22029	FLAT WASHER 6,5	1,000
18	71201	NUT M6	1,000
19	9017	NUT HM10	1,000
20	25347	PETROL TANK SUPPORT	1,000
21	37997	SCREW HM6-16 8.8	1,000
22	71102	C SHAPE KEY,NFE 276	1,000
23	71068	HEXAGON SCREW,DIN 9	1,000
24	7335	WASHER	1,000
26	26257	ENGINE PLATE HYDRO	1,000
27	71205	SCREW M8	1,000
28	71005	SAFETY PIN,DIN 1102	1,000
29	71002	FLAT WASHER,DIN 125	1,000
30	21703	CIRCLIP,DIN 471 20X	1,000
31	71091	NUT,NFE 27411 Hm M1	1,000
32	25314	STEERING KNUCKLE,LH	1,000
33	25301	RH STD "HYDRAULIC"	1,000
34	25370	15"X6,00 FRONT TYRE	1,000
35	25372	FRONT TYRE INNER TU	1,000
36	25379	->25385+25370+25372	1,000
37	25381	FR.WHEEL WHITE	1,000
38	25855	RH SIDE HOODING	1,000
39	25856	LH SIDE HOODING	1,000
40	25326	STEERING COLUMN GUI	1,000
41	25331	STEERING COLUMN	1,000
42	25336	RING C20/26X16	1,000

Number	Part Number	Name	Quantity
43	25320	STEERING PINION	1,000
44	21608	SCREW 6X16 DIN	1,000
45	25346	BEARING GASKET WASH	1,000
46	25304	SPACER	1,000
47	21687	HEXAGON SCREW,DIN 9	1,000
48	25302	ARTICULATED SHAFT	1,000
49	25316	STUB AXLE ROD	1,000
50	26955	VARNISHED FRONT AXL	1,000
51	25312	WHEEL THRUST SHAFT	1,000
52	26353	RH STUB AXLE	1,000
53	25338	STEERING RING	1,000
54	21036	FLAT WASHER 10.5	1,000
55	25340	STEERING ROD	1,000
56	71090	-> 35735	1,000
57	71343	SPRING WASHER A8	1,000
58	7035	FLAT WASHER	1,000
59	26957	STEERING LUD	1,000
60	25305	SELF-LUBRIC.RING C2	1,000
61	26352	LH STUB AXLE	1,000
62	25616	BEARING	1,000
64	25896	SHEET METAL BATTERY	1,000
65	25905	DASHBOARD	1,000
67	12002	ACCELERATOR STICKER	1,000
68	12003	IGNITION KEY STICKE	1,000
69	12007	BLADE CLUTCH STICKE	1,000
70	13021	STICKER	1,000
71	37561	NUT	1,000
72	25900	PROTECTIVE COWL	1,000
73	71200	SCREW M5	1,000
74	30281	FUEL HOSE 1400 MM	1,000
76	25984	6299 "RAPID" STUD	1,000
77	25983	C4434-4 "RAPID" FAS	1,000
78	21436	CLIPS NUT	1,000
79	25802	-> 28329	1,000
80	37821	THROTTLE KIT FOR KAWASAKI FH430V ENGINE	1,000
81	37996	SCREW HM5-16 8.8	1,000
83	25263	HOSE BAND CLIP	1,000
84	21604	BLADE BEATING	1,000
86	71101	COTTER PIN,DIN 94 S	1,000
87	25306	STEERING KNUCKLE	1,000
88	71093	NUT HM12X1.75	1,000

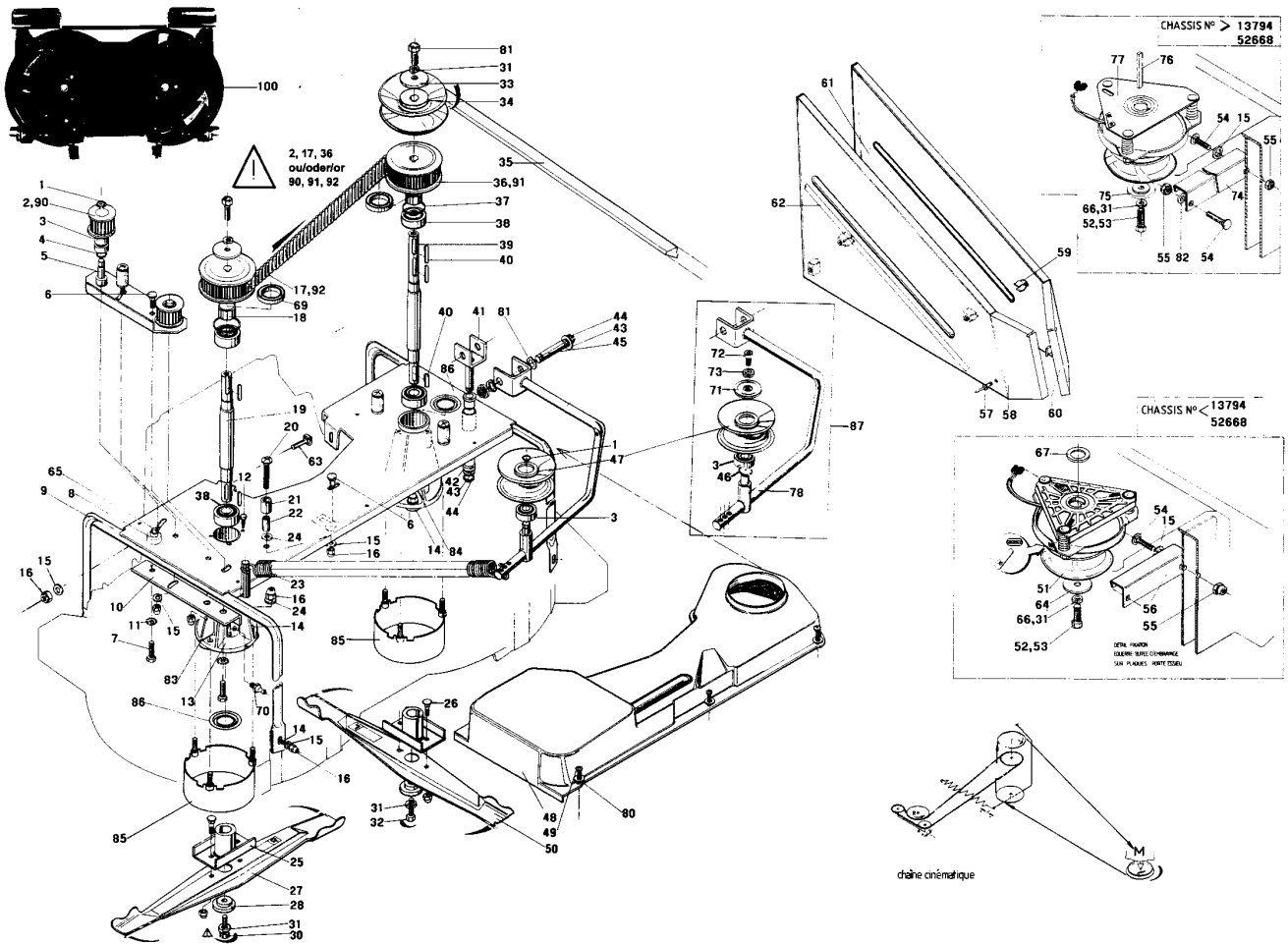
Number	Part Number	Name	Quantity
89	25345	BALL JOIN M12	1,000
90	71157	NUT AUTOFR.HM12	1,000
91	25267	ACCELERATOR FOR VANGUARD ENGINE	1,000
92	13015	STICKER	1,000
93	25268	STARTER PULL	1,000
94	25262	CLIPS	1,000
95	25258	PIPETTE F. TANK	1,000
96	25259	SEAL	1,000
97	25715	SETTING SHIM	1,000
98	25176	WHEEL CAP	1,000
110	28461	TYRES LIQUID SEAL	1,000
111	25287	MUFFLER	1,000
114	4088	SCREW	1,000
115	25280	MUF FASTENING ANGLE	1,000
116	71103	UNC M DIA. 1/4" SCR	1,000

10.01



Number	Part Number	Name	Quantity
1	71014	SPIRAL PIN,DIN 1481	1,000
2	25426	SPRING	1,000
3	71013	SPIRAL PIN,DIN 1481	1,000
4	25416	SLEEVE PA 66 26/20X	1,000
5	26450	RH LIFTING ROD ASSY	1,000
6	26454	REAR TIE ROD	1,000
7	71101	COTTER PIN,DIN 94 S	1,000
8	71034	FLAT WASHER NFE 276	1,000
9	26453	RH LIFTING LUG ASSY	1,000
10	25403	REAR ROD	1,000
11	1541	HEXAGON NUT,DIN 934	1,000
12	25406	ADJUSTMENT BOLT	1,000
13	71005	SAFETY PIN,DIN 1102	1,000
14	71205	SCREW M8	1,000
16	7335	WASHER	1,000
17	25432	LIFTING RING	1,000
18	9057	SQUARE BOLT,DIN 603	1,000
19	7341	FLAT WASHER 10,3X49	1,000
20	25017	REAR ROLLER	1,000
21	71032	KAWA SCREW H M10X75	1,000
22	25014	REAR WHEEL SPACERS	1,000
23	9017	NUT HM10	1,000
24	5347	SCREW 8X25	1,000
25	53095	AXLE	1,000
26	71041	A TYPE SHAFT,DIN 14	1,000
27	26456	CUTTING HEIGHT LEVE	1,000
28	7377	TRUARC COLLAR DIN 7	1,000
29	25422	RATCHET PULL-BACK S	1,000
30	25419	RATCHET	1,000
31	25420	PLATE HDC	1,000
32	26452	LH LIFTING LUG ASSY	1,000
33	26100	RH FRONT SUPPORT AS	1,000
34	25015	FRONT ROLLER	1,000
35	26457	GRADATED INDICATOR	1,000
36	71355	HEX.SCREW M6X10	1,000
37	26451	COUNTER SHAFT	1,000
38	71413	SCREW HM 8-20	1,000
39	25729	PARKING BRAKE ROD	1,000
40	25429	PARKING BRAKE RELEA	1,000
41	25421	GRIP	1,000
43	26101	LH FRONT SUPPORT AS	1,000

Number	Part Number	Name	Quantity
44	26455	-> 53822	1,000
45	25010	RUBBER STOP	1,000
46	71201	NUT M6	1,000
47	27087	SHEET LINK	1,000
48	27064	CONNECTION SHEET L.	1,000
49	27016	R. CONNECTION PLATE	1,000
50	71049	SPRING WASHER,DIN 1	1,000
52	37997	SCREW HM6-16 8.8	1,000
54	71035	FLAT WASHER NFE 276	1,000
55	13062	STICKER CUT-DECK	1,000
56	26950	CUTTING DECK	1,000
57	12081	STICKER	1,000
58	25018	FRONT CROSS BAR	1,000
59	9071	SCREW M8X20	1,000
60	22029	FLAT WASHER 6,5	1,000
61	26946	CUTTING DECK CPLT H	1,000
64	25887	STEP SPACER	1,000
65	25024	LH DECK PROTECTION	1,000
66	25023	RH DECK PROTECTION	1,000
67	5211	VIS CRU. M6 X 30	1,000
70	25019	-> 28762 + 39084	1,000
71	26833	DECK PROTECTION KIT	1,000



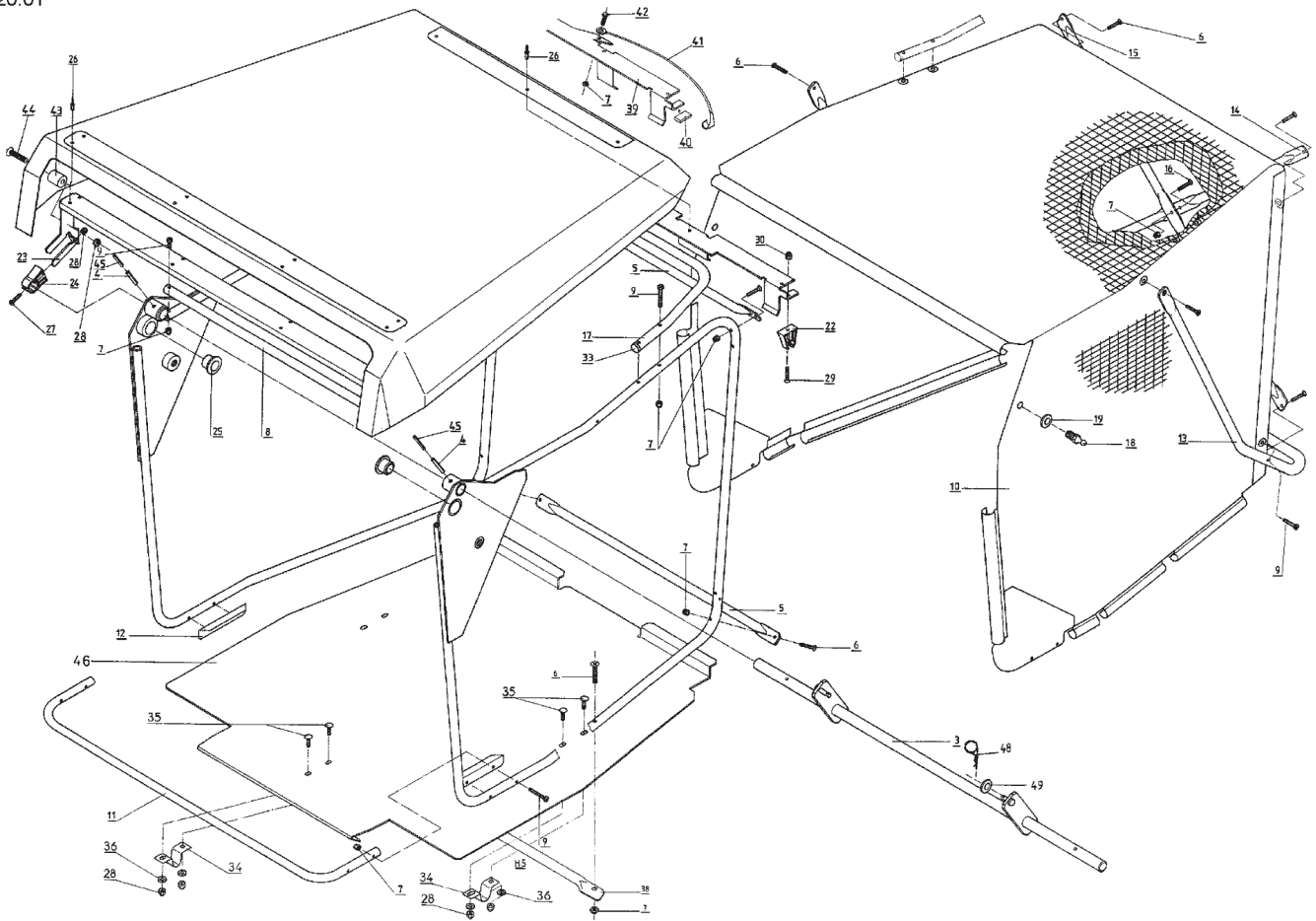
Number	Part Number	Name	Quantity
1	71047	CIRCLIP DIN 471 15X	1,000
2	25110	CORRUGATED STRETCHER	1,000
3	25112	BALL BEARING,6202 S	1,000
4	71039	CIRCLIP,DIN 427 35X	1,000
5	26150	BELT TIGHTENER (too	1,000
6	9071	SCREW M8X20	1,000
7	9056	BOLT 8X25	1,000
8	25131	BELT TIGHTENER WASH	1,000
9	26151	TRANSMISSION BASE P	1,000
10	25128	BELT TIGHTENER REIN	1,000
11	71343	SPRING WASHER A8	1,000
12	5498	TAPTITE BOLT M6X16	1,000
13	52608	BLADE BEARING 1M	1,000
14	5041	BOLT 8X30	1,000
15	7335	WASHER	1,000
16	71205	SCREW M8	1,000
17	25111	TOOTHED BELT TP 17	1,000
18	25129	TRANSMISSION SPACER	1,000
19	25103	RH BLADE SHAFT	1,000
20	71170	BELT M8 X 60	1,000
21	25102	NYLON ROLLER	1,000
22	25107	ROLLSLEEVE	1,000
23	25124	TENSION SPRING	1,000
24	7035	FLAT WASHER	1,000
25	26155	BLADE CLUTCH	1,000
26	26357	100 SHEAR BOLTS	1,000
27	MZ102D	RIGHT BLADE H100	1,000
28	25132	BLADE WASHER	1,000
30	71031	LH HEXAG.SCREW,DIN	1,000
31	71052	SPRING WASHER,DIN 1	1,000
32	71242	HEX.SCREW HM10X35	1,000
33	7341	FLAT WASHER 10,3X49	1,000
34	25108	V-BELT PULLEY	1,000
35	25115	V-BELT	1,000
36	25109	TOOTHED BELT PULLEY	1,000
37	71037	CIRCLIP, DIN 472 52	1,000
38	25475	SEALED BALL BEARING	1,000
39	25104	LH BLADE SHAFT	1,000
40	71006	A-SHAPE KEY,DIN 688	1,000
41	26153	TIGHTENER YOKE KIT	1,000
42	25512	SELF-LUBRIC.RING C1	1,000

Number	Part Number	Name	Quantity
43	71034	FLAT WASHER NFE 276	1,000
44	71036	DIN 471 14X1 EXT. C	1,000
45	25126	BELT TIGHTENER ARM	1,000
47	26156	BELT TIGHTENER PULL	1,000
48	25880	BLADE DRIVE COVER	1,000
49	71111	TAPPING SCREW,DIN 7	1,000
50	MZ102G	LEFT BLADE H100	1,000
51	25054	-> 32013	1,000
52	71026	BRIGGS SCREW H DIA.	1,000
53	71064	-> 71032	1,000
54	71042	NECK BOLT,DIN 603-8	1,000
55	71201	NUT M6	1,000
56	25051	CLUTCH THRUST BRACK	1,000
57	71241	NAIL RIVET 4,8X10,5	1,000
58	25881	RH FRAME COVER	1,000
59	25886	17/20 CUP	1,000
60	25882	LH FRAME COVER	1,000
61	12041	LH STRIPE STICKER	1,000
63	5347	SCREW 8X25	1,000
64	25284	ENGINE WASHER 12,5X	1,000
65	7038	SCREW,DIN933 H M 8X	1,000
66	71159	WASHER 7/16"	1,000
67	25538	CLUTCH WASHER	1,000
69	25106	SEAL 30X52X7	1,000
70	25301	RH STD "HYDRAULIC"	1,000
71	25117	PLUG T. ARM	1,000
72	5020	CHC M6X10 SCREW	1,000
73	71049	SPRING WASHER,DIN 1	1,000
74	25053	E. CLUTCH ANGLE	1,000
75	25288	ENG. WASHER	1,000
76	71192	KEY	1,000
78	26152	TENSIONING ARM WELD	1,000
80	7094	FLAT WASHER	1,000
81	71110	HEXAGON SCREW,DIN 9	1,000
82	22029	FLAT WASHER 6,5	1,000
83	26106	R. BEARING CPLT	1,000
84	26107	L. BEARING CPLT	1,000
85	26030	BLADE ASSY COLLAR	1,000
86	25143	"NILOS" RING	1,000
87	26154	BELT TIGHT.ARM KIT	1,000
90	31201	PULLEY STS 22	1,000



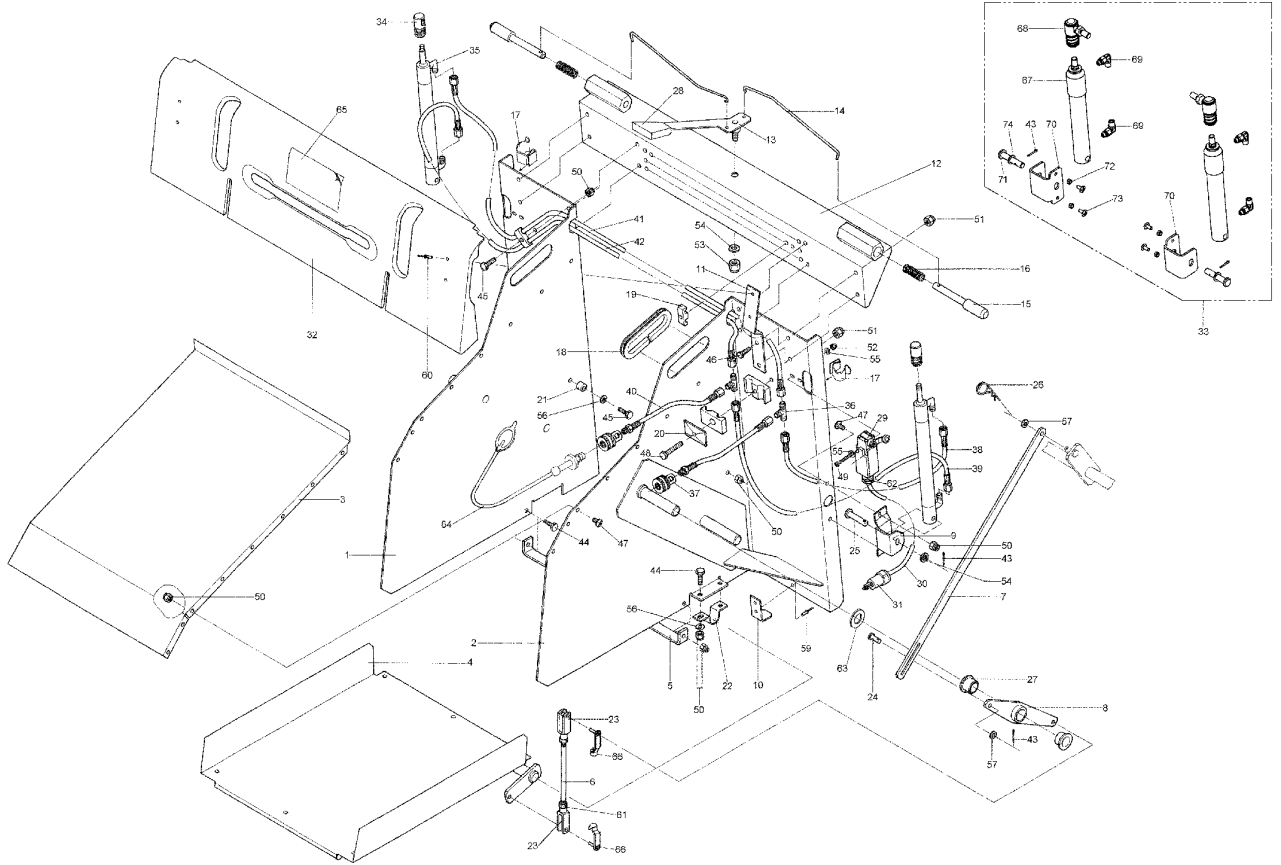
Number	Part Number	Name	Quantity
91	31202	PULLEY STS 48	1,000
92	31203	TOOTHED BELT STS	1,000
100	26946	CUTTING DECK CPLT H	1,000

20.01



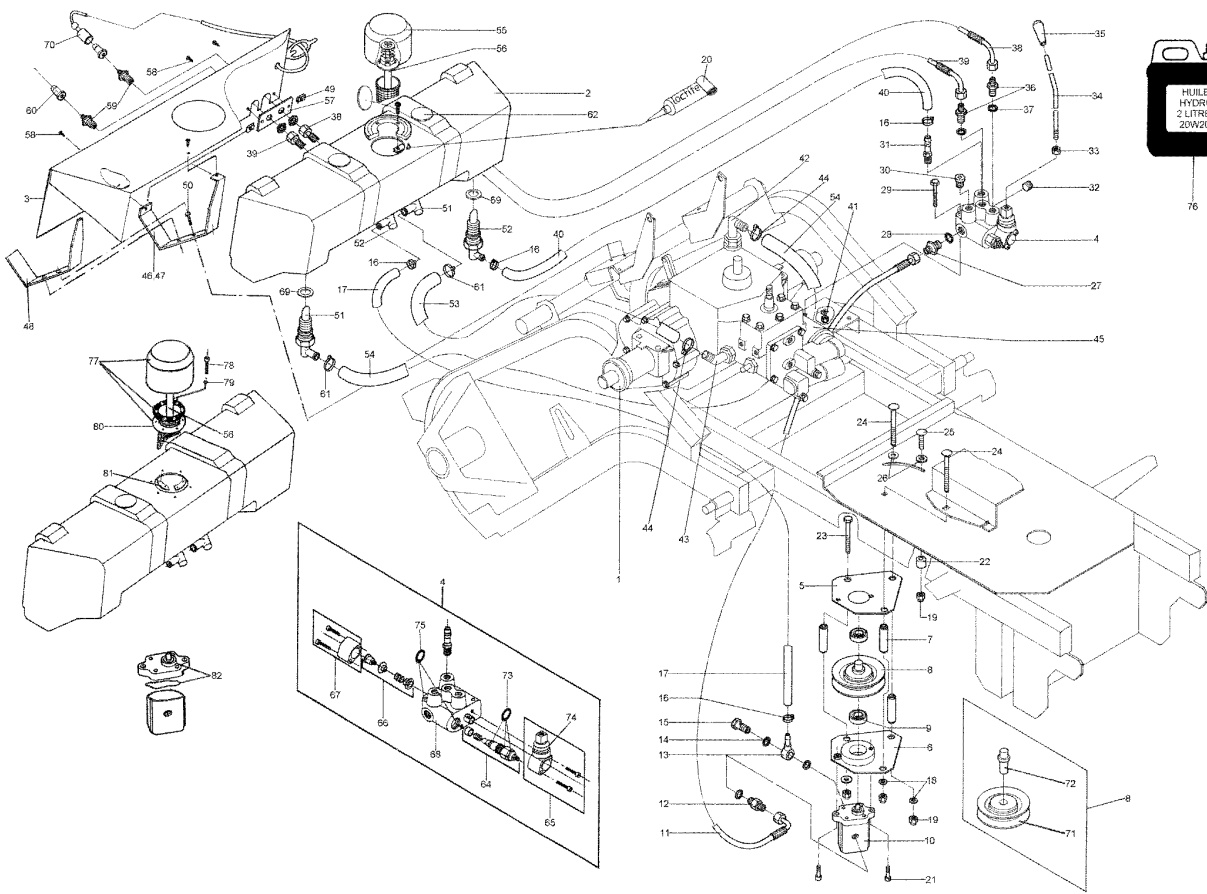
Number	Part Number	Name	Quantity
3	26831	SHAFT	1,000
4	71013	SPIRAL PIN,DIN 1481	1,000
5	27041	CROSS BAR	1,000
6	71058	SLOTTED SCREW,DIN 9	1,000
7	37561	NUT	1,000
8	27040	CROSS BAR	1,000
9	5399	BOLT M5X40	1,000
10	27042	BAG	1,000
11	27039	CROSS BAR	1,000
12	27052	BOX BOTTOM SLIDE	1,000
13	27092	KIT.BOX SIDE BOW	1,000
14	27096	UP. BRACE HALF	1,000
15	27099	LOW. BRACE HALF	1,000
16	20563	SCREW M5 X 12	1,000
17	27044	COVER SUPPORT TUBE	1,000
18	27113	FEMALE SPHERICAL EN	1,000
19	1560	FLAT WASHER 13X25X3	1,000
22	27054	PLASTIC CLIP 16	1,000
23	27046	FRONT SUPPORT TUBE	1,000
24	27055	PLASTIC CLIP 20	1,000
25	25416	SLEEVE PA 66 26/20X	1,000
26	71083	RIVET CLOU 4,8X20,5	1,000
27	5211	VIS CRU. M6 X 30	1,000
28	71201	NUT M6	1,000
29	71085	SCREW CR M4X30 TF	1,000
30	21525	NUT HM4	1,000
33	26036	PROTECTIVE CAP	1,000
34	25711	STRAP	1,000
35	21608	SCREW 6X16 DIN	1,000
36	2235	WASHER A6.4	1,000
38	27091	CROSSBEAM GRASSBOX	1,000
39	27058	BOX HOOD SUPPORT	1,000
40	25945	RUBBER STRIP 40MM	1,000
41	27063	TENDER	1,000
42	2009	BOLT M5X16	1,000
43	25102	NYLON ROLLER	1,000
44	71042	NECK BOLT,DIN 603-8	1,000
45	71014	SPIRAL PIN,DIN 1481	1,000
46	26832	ALU COLL.BOTTOM KIT	1,000
48	27066	PIN	1,000
49	7335	WASHER	1,000

25.01

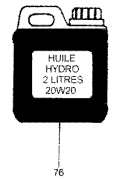


Number	Part Number	Name	Quantity
1	26837	R.PLATE CAISSON GRE	1,000
2	26838	L.PLATE CAISSON GRE	1,000
3	27068	CAISSON COVER	1,000
4	36095	BOTTOM	1,000
5	27006	STABILIZER BAR	1,000
6	27015	SHEATH LINKAGE	1,000
7	27013	SHEATH CONTROL LINK	1,000
8	26824	WELDED SHEATH ROD	1,000
9	27023	CYLINDER ATTACHMENT	1,000
10	27051	BRACKET	1,000
11	27059	SUPPORT CACHE	1,000
12	26836	WELDED BRACKET GR.	1,000
13	26827	LEVER	1,000
14	27030	ROD	1,000
15	27027	AXLE	1,000
16	22457	CLUTCH SPRING	1,000
17	26062	CLIPS	1,000
18	28254	PROTECT.COATING 690	1,000
19	27118	DOUBLE HOLDER 8	1,000
20	27111	-> 27111X2 + 52797	1,000
21	25012	RUBBER WASHER	1,000
22	25711	STRAP	1,000
23	71077	YOKE DIN 71751 8X32	1,000
24	27050	AXLE	1,000
25	71003	TYPE B10X45 SHAFT	1,000
26	27066	PIN	1,000
27	25416	SLEEVE PA 66 26/20X	1,000
28	27071	HANDLE DECORATION	1,000
29	27114	BAG CONTACTOR	1,000
30	25791	2 WIRE CABLE 0,4MM	1,000
31	25792	MALE 2 WIRE CONNECT	1,000
32	27069	WHITE BAG HOOD COVE	1,000
33	26835	RAM KIT MH480	1,000
34	27117	MALE SPHERICAL END	1,000
35	26070	RIGHT-ANGLE END	1,000
36	27022	T CONNECTION	1,000
37	27122	FEMALE COUPLER 1/8	1,000
38	27020	HOSE L. 340	1,000
39	27018	HOSE L. 360	1,000
40	27019	-> 29962 + 51124	1,000
41	27124	R HOSE 1095 MM	1,000

Number	Part Number	Name	Quantity
42	27094	R HOSE 1010 MM	1,000
43	71018	V3,2 SPLIT PIN	1,000
44	37997	SCREW HM6-16 8.8	1,000
45	20693	HEX.SCREW HM6X25	1,000
46	71413	SCREW HM 8-20	1,000
47	71142	SCREW M6X12	1,000
48	21687	HEXAGON SCREW,DIN 9	1,000
49	71152	BOLT 4X40 HM	1,000
50	71201	NUT M6	1,000
51	71205	SCREW M8	1,000
52	21525	NUT HM4	1,000
53	9017	NUT HM10	1,000
54	21036	FLAT WASHER 10.5	1,000
55	71024	WASHER PL A 4,3	1,000
56	2235	WASHER A6.4	1,000
57	7335	WASHER	1,000
59	71112	DIA.4X18 STAR RIVET	1,000
60	71083	RIVET CLOU 4,8X20,5	1,000
61	2020	NUT HM8	1,000
62	29789	CONTACTOR GROMMET	1,000
63	71002	FLAT WASHER,DIN 125	1,000
64	27125	COUPLER CAP	1,000
65	13063	STICKER BOX PARTS	1,000
66	71169	STUD 8X32	1,000
67	29400	G.BOX EMPTYING JACK	1,000
68	29378	ANGLE KNUCKLE	1,000
69	32001	ADAPTER G1/8 6L90°	1,000
70	32053	YOKE	1,000
71	29333	REAR EMPT.RAM SHAFT	1,000
73	71338	SCREW M6X15 6.8	1,000
74	71336	WASHER 13X20X2	1,000

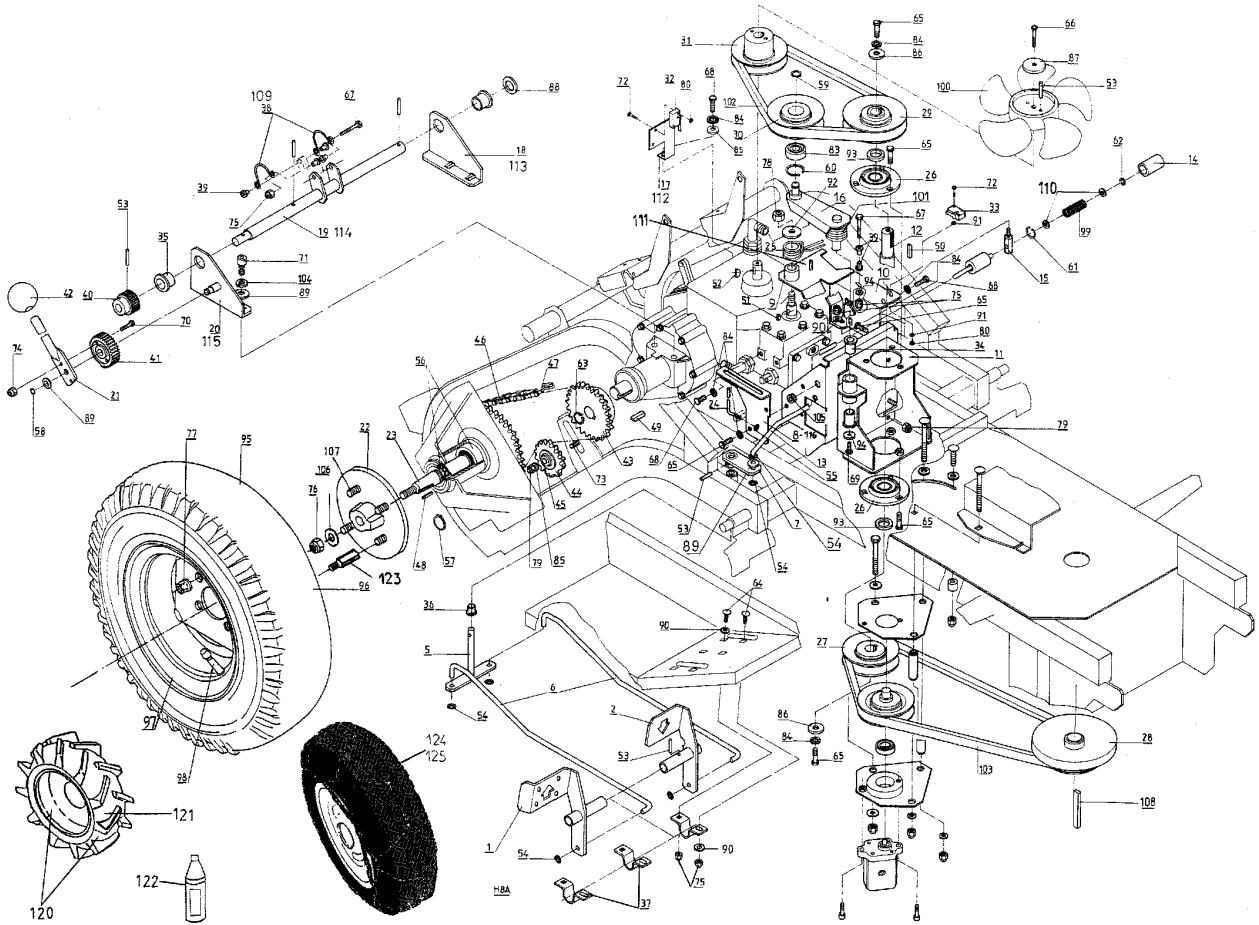


30.01



Number	Part Number	Name	Quantity
1	25640	HYDRO.TRANSM. 851	1,000
2	25692	OIL TANK N.V CPL	1,000
4	-	-	1,000
5	26524	TENSIONER FLANGE	1,000
6	26526	PUMP SUPPORT FLANGE	1,000
7	25670	SPACER	1,000
8	26528	-> 25669 + 25672	1,000
9	9022	BALL BEARING 6002	1,000
10	27080	GEAR PUMP	1,000
11	27088	HOSE	1,000
12	27089	UNION 14X150/14X150	1,000
13	27082	HOSE	1,000
14	27084	SEAL COPPER 0 14	1,000
15	27083	BOLT BP14X150	1,000
16	25694	CLAMPING RING 16	1,000
17	27081	HOSE L. 840	1,000
18	7335	WASHER	1,000
19	71205	SCREW M8	1,000
20	25964	RODHORSEAL 100G	1,000
21	71044	CAP SCREW,DIN 912-8	1,000
22	40068	BRACE	1,000
23	21687	HEXAGON SCREW,DIN 9	1,000
24	21512	SCREW JAPY M8X70	1,000
25	5041	BOLT 8X30	1,000
26	21036	FLAT WASHER 10.5	1,000
27	27097	UNION 3/8"-14X150	1,000
28	27112	COPPER SEAL	1,000
29	71023	SCREW HM 6X50	1,000
30	27098	DISTRIB.PLUG 1/4	1,000
31	27129	PLUG 1/4"	1,000
32	27021	DISTRIB. PLUG 3/8"	1,000
33	2020	NUT HM8	1,000
34	27130	DISTRIB. LEVER	1,000
35	27131	DISTRIB. LEVER HAND	1,000
36	27120	UNION 1/4"-12X150	1,000
37	27085	SEAL COPPER 0 13	1,000
38	27119	HOSE	1,000
39	27121	HOSE	1,000
41	71201	NUT M6	1,000
42	25683	PIPETTE	1,000
43	25682	PIPETTE	1,000

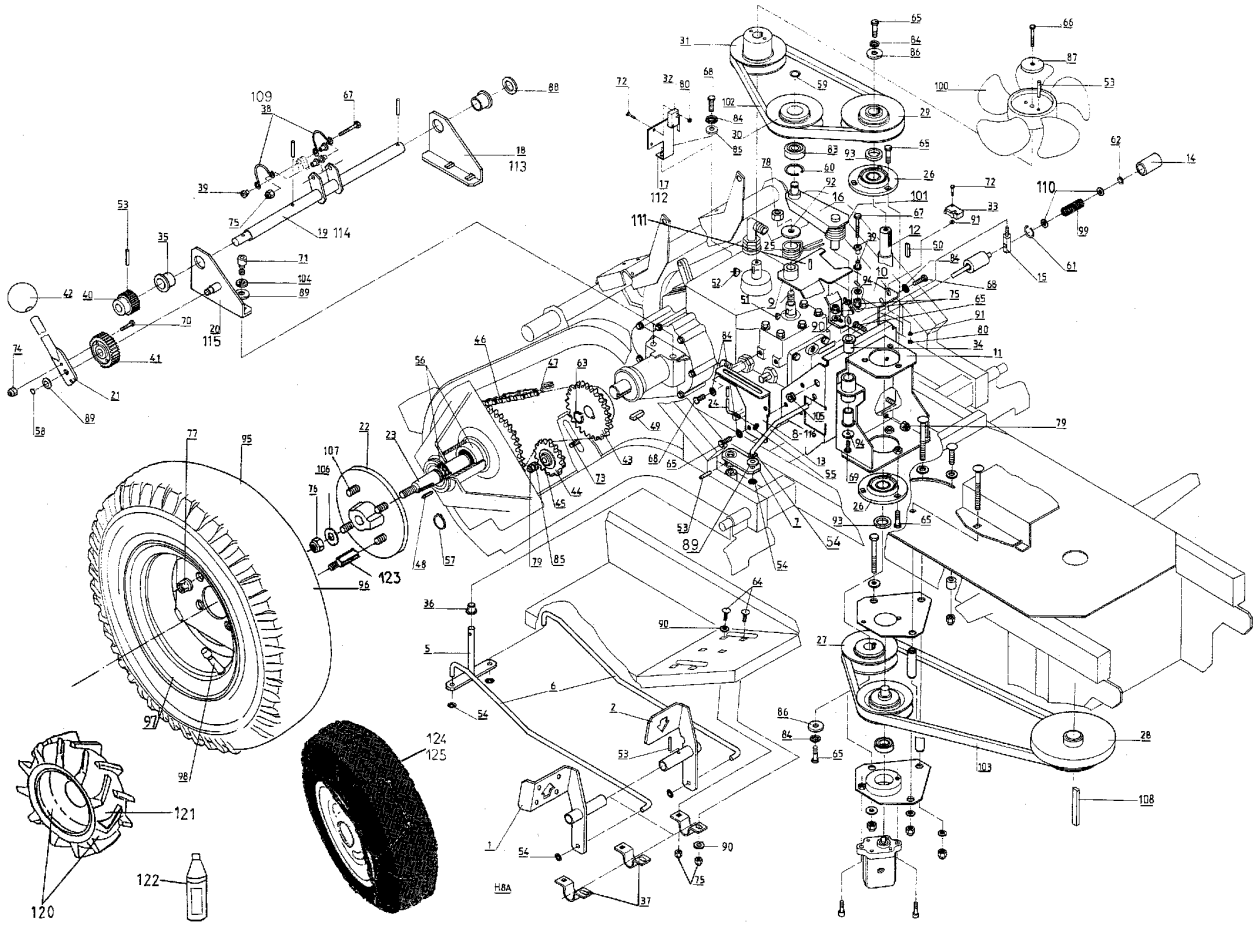
Number	Part Number	Name	Quantity
44	25007	COLLAR 16/27	1,000
45	25646	FILTER CARTRIDGE	1,000
47	25695	L. OIL TANK SUPPORT	1,000
48	25696	OIL TANK PROTECTION	1,000
49	21436	CLIPS NUT	1,000
50	37997	SCREW HM6-16 8.8	1,000
51	25677	PIPETTE	1,000
52	25676	PIPETTE	1,000
53	25684	-> 25685	1,000
54	25685	HYD. HOSE 1000 MM	1,000
55	25678	BREATHER PLUG	1,000
56	25679	OIL LEVEL GAUGE	1,000
57	27110	COUPLER HOLDER	1,000
58	71111	TAPPING SCREW,DIN 7	1,000
59	27115	UNION PIECE	1,000
60	27116	MALE COUPLER 1/8	1,000
61	25673	-> 25007	1,000
62	25879	SELF-ADHESIVE WASHE	1,000
64	27101	PRESSURE VALVE	1,000
65	27102	FRONT DECK + BOLT	1,000
66	27103	LOCKING	1,000
67	27104	R. DECK + BOLT	1,000
68	27100	FOUNDRY SLIDE	1,000
69	25675	HYDRO TANK SEAL	1,000
70	27126	COUPLER HOOD	1,000
71	25669	PULLEY	1,000
72	25672	AXLE	1,000
73	27198	KIT O-RING PRES.VAL	1,000
74	27197	BELLOWS DISTR.LEVER	1,000
75	27199	KIT O-RING DIST.VAL	1,000
76	26785	2L HYDRO. OIL CAN	1,000
77	25697	OIL TANK CAP	1,000
78	71152	BOLT 4X40 HM	1,000
79	7094	FLAT WASHER	1,000
80	25698	OIL TANK GASKET	1,000
81	25699	UPPER PLATE	1,000
82	27196	HYDR.PUMP GASK. KIT	1,000



Number	Part Number	Name	Quantity
1	26529	FORWARD PEDAL	1,000
2	26530	REVERSE PEDAL	1,000
5	26536	AXLE	1,000
6	25626	PEDAL LINKAGE	1,000
7	26531	LINK ROD	1,000
8	25688	BY PASS ANGLE	1,000
9	26527	CONTROL TAB	1,000
10	25661	NEUTRAL POINT BRACK	1,000
11	26525	SUPPORT	1,000
12	25630	SHAFT	1,000
13	25651	CHOCK ABSORBER ROD	1,000
14	25652	SHOLCK ABSORBER CYL	1,000
15	25653	SHOLCK ABSORBER PIV	1,000
16	26511	SPA UPPER BELT TIGH	1,000
17	25594	B. SWITCH BRACKET	1,000
18	25597	HAND BR. BRACKET L.	1,000
19	26583	H. BR. CONTROL AXLE	1,000
20	26582	HAND BR. BRACKET R.	1,000
21	25764	HAND BRAKE LEVER	1,000
22	32078	REAR WHEEL BOSS	1,000
23	26510	WHEEL SHAFT ASSY, C	1,000
24	25660	LEVER	1,000
25	25636	SPRING DEAD POINT	1,000
26	52749	BALL BEARING STEEL	1,000
27	25526	CLUTCH OUTPUT PULLE	1,000
28	25529	ENGINE OUTPUT PULLE	1,000
29	25527	CLUTCH INPUT PULLEY	1,000
30	25509	TENSIONING PULLEY	1,000
31	25638	HYDRO BOX PULLEY	1,000
32	25798	LEVER MICROSWITCH	1,000
33	25781	ROLLER MICROSWITCH	1,000
34	5455	SELF-LUBRIC.RING C1	1,000
35	25416	SLEEVE PA 66 26/20X	1,000
36	25564	12X16X10 PLASTIC RI	1,000
37	25711	STRAP	1,000
38	25773	HAND BR. SPRING	1,000
39	25769	SPRING SPACER	1,000
40	25772	GEAR 18 TEETH	1,000
41	25771	GEAR 32 TEETH	1,000
42	25560	LEVER PROTECTIVE	1,000
43	25505	OUTPUT SHAFT GEARED	1,000

Number	Part Number	Name	Quantity
44	25504	BEARING-MOUNTED SPR	1,000
45	25503	CHAIN ADJUSTMENT SH	1,000
46	25687	CHAIN	1,000
47	25501	QUICK-CONNECT CHAIN	1,000
48	71102	C SHAPE KEY,NFE 276	1,000
49	71156	KEY .6,35X6,35X25	1,000
50	71008	B-SHAPE KEY,DIN 688	1,000
51	71136	KEY DISQ.3,17X12,7	1,000
52	71127	KEY 4,8X6,5X15,72	1,000
53	71248	SPIRAL PIN 5X26	1,000
54	7377	TRUARC COLLAR DIN 7	1,000
55	6042	WASHER	1,000
56	25475	SEALED BALL BEARING	1,000
57	71038	CIRCLIP,DIN 471 25X	1,000
58	20559	CIRCLIPS 10	1,000
59	71047	CIRCLIP DIN 471 15X	1,000
60	71039	CIRCLIP,DIN 427 35X	1,000
61	71149	CIRCLIP INT. 0 18	1,000
62	5602	ANNEAU TRUARC	1,000
63	71045	EXT.CIRCLIP,DIN 471	1,000
64	71069	BOLT DIN 603	1,000
65	71413	SCREW HM 8-20	1,000
66	71147	SCREW 1/4-20X35	1,000
67	22456	SCREW HM 6X40	1,000
68	71062	UNC 18 5/16" SCREW	1,000
69	37997	SCREW HM6-16 8.8	1,000
70	1501	BOLT M5 X 25	1,000
71	71117	BOLT M 10X80	1,000
72	71087	SCREW 3-25 HM	1,000
73	9057	SQUARE BOLT,DIN 603	1,000
74	37561	NUT	1,000
75	71201	NUT M6	1,000
76	71053	HEXAG.NUT,DIN 985-8	1,000
77	71055	NUT NFE 27458 M12X1	1,000
78	71146	NUT H UNC 3/8-16	1,000
79	71205	SCREW M8	1,000
80	71012	NUT AUTO.HM3	1,000
83	25112	BALL BEARING,6202 S	1,000
84	71343	SPRING WASHER A8	1,000
85	71173	DAMPER WASHER	1,000
86	5444	WASHER	1,000

Number	Part Number	Name	Quantity
87	20021	WASHER 8,5X40X4	1,000
88	71002	FLAT WASHER,DIN 125	1,000
89	21036	FLAT WASHER 10.5	1,000
90	2235	WASHER A6.4	1,000
91	7094	FLAT WASHER	1,000
92	9009	WASHER	1,000
93	25348	WASHER	1,000
94	22029	FLAT WASHER 6,5	1,000
95	25380	REAR WHEEL CPLT	1,000
96	25373	20"X8" REAR TYRE	1,000
97	25382	REAR WHEEL RIM WHIT	1,000
98	25375	REAR TYRE INNER TUB	1,000
99	22457	CLUTCH SPRING	1,000
100	25639	COOLING FAN	1,000
101	25511	UPPER BELT TIGHTENE	1,000
102	25632	V.BELT SPA 907	1,000
103	25680	V. BELT	1,000
104	71052	SPRING WASHER,DIN 1	1,000
105	7915	RING	1,000
106	71034	FLAT WASHER NFE 276	1,000
107	25741	STUD	1,000
108	71192	KEY	1,000
111	26523	CONTROL TAB MVEHHL	1,000
120	MA100	AGRARIANWHEELS	1,000
121	25978	RIBBED TIRES	1,000
122	28461	TYRES LIQUID SEAL	1,000
123	25991	CHAIN SPACER	1,000
124	25952	25952	1,000
125	25994	SNOW CHAINS	1,000
25681	25681	BY PASS BRACKET	1,000
25762	25762	SPRING BRAK.DIF.LOC	1,000
25766	25766	LEFT CONTROL SUP.	1,000
25767	25767	H.BRAKE SUP.DETECTO	1,000
26580	26580	AXE COMMANDE	1,000
26581	26581	RIGHT SUPPORT	1,000

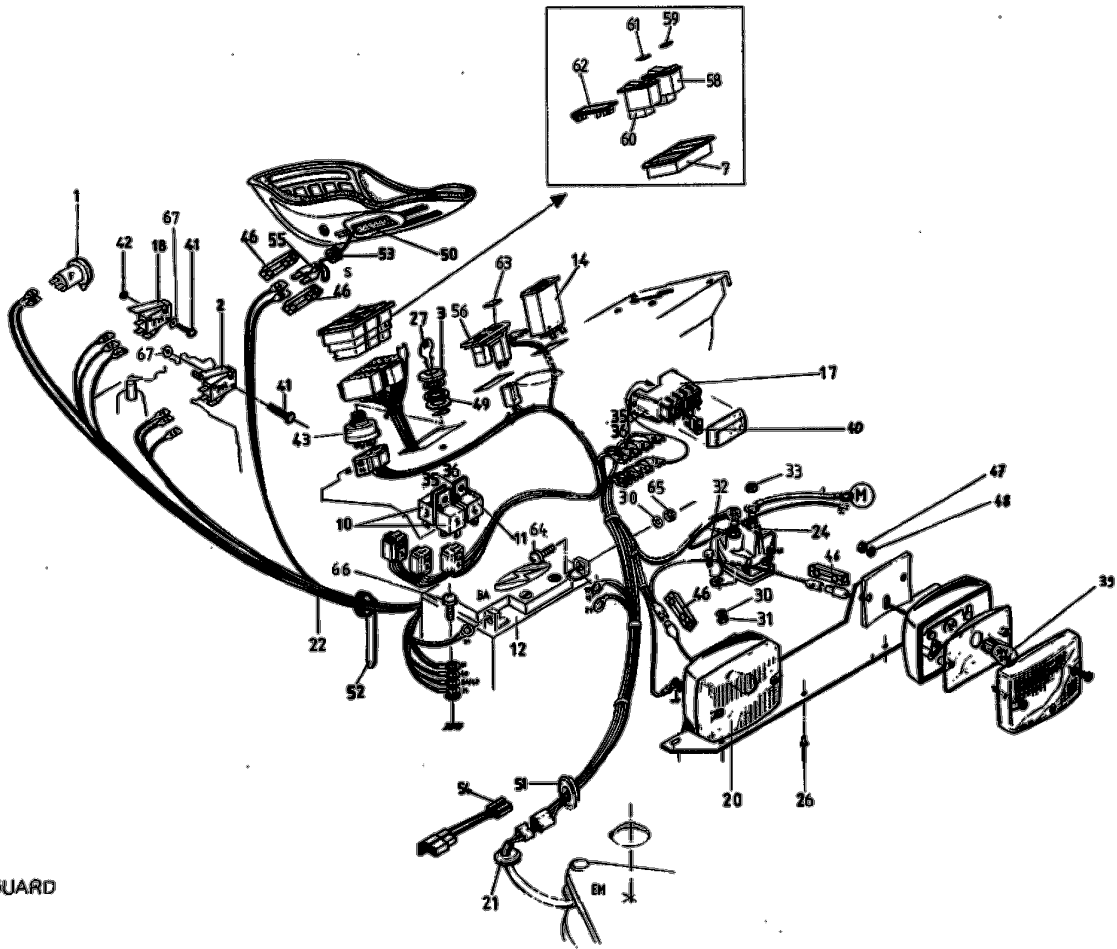


Number	Part Number	Name	Quantity
1	26529	FORWARD PEDAL	1,000
2	26530	REVERSE PEDAL	1,000
5	26536	AXLE	1,000
6	25626	PEDAL LINKAGE	1,000
7	26531	LINK ROD	1,000
8	25688	BY PASS ANGLE	1,000
9	26527	CONTROL TAB	1,000
10	25661	NEUTRAL POINT BRACK	1,000
11	26525	SUPPORT	1,000
12	25630	SHAFT	1,000
13	25651	CHOCK ABSORBER ROD	1,000
14	25652	SHOLCK ABSORBER CYL	1,000
15	25653	SHOLCK ABSORBER PIV	1,000
16	26511	SPA UPPER BELT TIGH	1,000
17	25594	B. SWITCH BRACKET	1,000
18	25597	HAND BR. BRACKET L.	1,000
19	26583	H. BR. CONTROL AXLE	1,000
20	26582	HAND BR. BRACKET R.	1,000
21	25764	HAND BRAKE LEVER	1,000
22	32078	REAR WHEEL BOSS	1,000
23	26510	WHEEL SHAFT ASSY, C	1,000
24	25660	LEVER	1,000
25	25636	SPRING DEAD POINT	1,000
26	52749	BALL BEARING STEEL	1,000
27	25526	CLUTCH OUTPUT PULLE	1,000
28	25529	ENGINE OUTPUT PULLE	1,000
30	25509	TENSIONING PULLEY	1,000
31	25638	HYDRO BOX PULLEY	1,000
32	25798	LEVER MICROSWITCH	1,000
33	25781	ROLLER MICROSWITCH	1,000
34	5455	SELF-LUBRIC.RING C1	1,000
35	25416	SLEEVE PA 66 26/20X	1,000
36	25564	12X16X10 PLASTIC RI	1,000
37	25711	STRAP	1,000
38	25773	HAND BR. SPRING	1,000
39	25769	SPRING SPACER	1,000
40	25772	GEAR 18 TEETH	1,000
41	25771	GEAR 32 TEETH	1,000
42	25560	LEVER PROTECTIVE	1,000
43	25505	OUTPUT SHAFT GEARED	1,000
44	25504	BEARING-MOUNTED SPR	1,000

Number	Part Number	Name	Quantity
45	25503	CHAIN ADJUSTMENT SH	1,000
46	25687	CHAIN	1,000
47	25501	QUICK-CONNECT CHAIN	1,000
48	71102	C SHAPE KEY,NFE 276	1,000
49	71156	KEY .6,35X6,35X25	1,000
50	71008	B-SHAPE KEY,DIN 688	1,000
51	71136	KEY DISQ.3,17X12,7	1,000
52	71127	KEY 4,8X6,5X15,72	1,000
53	71248	SPIRAL PIN 5X26	1,000
54	7377	TRUARC COLLAR DIN 7	1,000
55	6042	WASHER	1,000
56	25475	SEALED BALL BEARING	1,000
57	71038	CIRCLIP,DIN 471 25X	1,000
58	20559	CIRCLIPS 10	1,000
59	71047	CIRCLIP DIN 471 15X	1,000
60	71039	CIRCLIP,DIN 427 35X	1,000
61	71149	CIRCLIP INT. 0 18	1,000
62	5602	ANNEAU TRUARC	1,000
63	71045	EXT.CIRCLIP,DIN 471	1,000
64	71069	BOLT DIN 603	1,000
65	71413	SCREW HM 8-20	1,000
66	71147	SCREW 1/4-20X35	1,000
67	22456	SCREW HM 6X40	1,000
68	71062	UNC 18 5/16" SCREW	1,000
69	37997	SCREW HM6-16 8.8	1,000
70	1501	BOLT M5 X 25	1,000
71	71117	BOLT M 10X80	1,000
72	71087	SCREW 3-25 HM	1,000
73	9057	SQUARE BOLT,DIN 603	1,000
74	37561	NUT	1,000
75	71201	NUT M6	1,000
76	71053	HEXAG.NUT,DIN 985-8	1,000
77	71055	NUT NFE 27458 M12X1	1,000
78	71146	NUT H UNC 3/8-16	1,000
79	71205	SCREW M8	1,000
80	71012	NUT AUTO.HM3	1,000
83	25112	BALL BEARING,6202 S	1,000
84	71343	SPRING WASHER A8	1,000
86	5444	WASHER	1,000
87	20021	WASHER 8,5X40X4	1,000
88	71002	FLAT WASHER,DIN 125	1,000

Number	Part Number	Name	Quantity
89	21036	FLAT WASHER 10.5	1,000
90	2235	WASHER A6.4	1,000
91	7094	FLAT WASHER	1,000
92	9009	WASHER	1,000
93	25348	WASHER	1,000
94	22029	FLAT WASHER 6,5	1,000
95	25380	REAR WHEEL CPLT	1,000
96	25373	20"X8" REAR TYRE	1,000
97	25382	REAR WHEEL RIM WHIT	1,000
98	25375	REAR TYRE INNER TUB	1,000
99	22457	CLUTCH SPRING	1,000
100	25639	COOLING FAN	1,000
101	25511	UPPER BELT TIGHTENE	1,000
102	25632	V.BELT SPA 907	1,000
103	25680	V. BELT	1,000
104	71052	SPRING WASHER,DIN 1	1,000
105	7915	RING	1,000
106	71034	FLAT WASHER NFE 276	1,000
107	25741	STUD	1,000
108	71192	KEY	1,000
109	25762	SPRING BRAK.DIF.LOC	1,000
110	71173	DAMPER WASHER	1,000
111	26523	CONTROL TAB MVEHHL	1,000
112	25767	H.BRAKE SUP.DECTECTO	1,000
113	25766	LEFT CONTROL SUP.	1,000
114	26580	AXE COMMANDE	1,000
115	26581	RIGHT SUPPORT	1,000
116	25681	BY PASS BRACKET	1,000
120	MA100	AGRARIANWHEELS	1,000
121	25978	RIBBED TIRES	1,000
122	28461	TYRES LIQUID SEAL	1,000
123	25991	CHAIN SPACER	1,000
124	25952	25952	1,000
125	25994	SNOW CHAINS	1,000

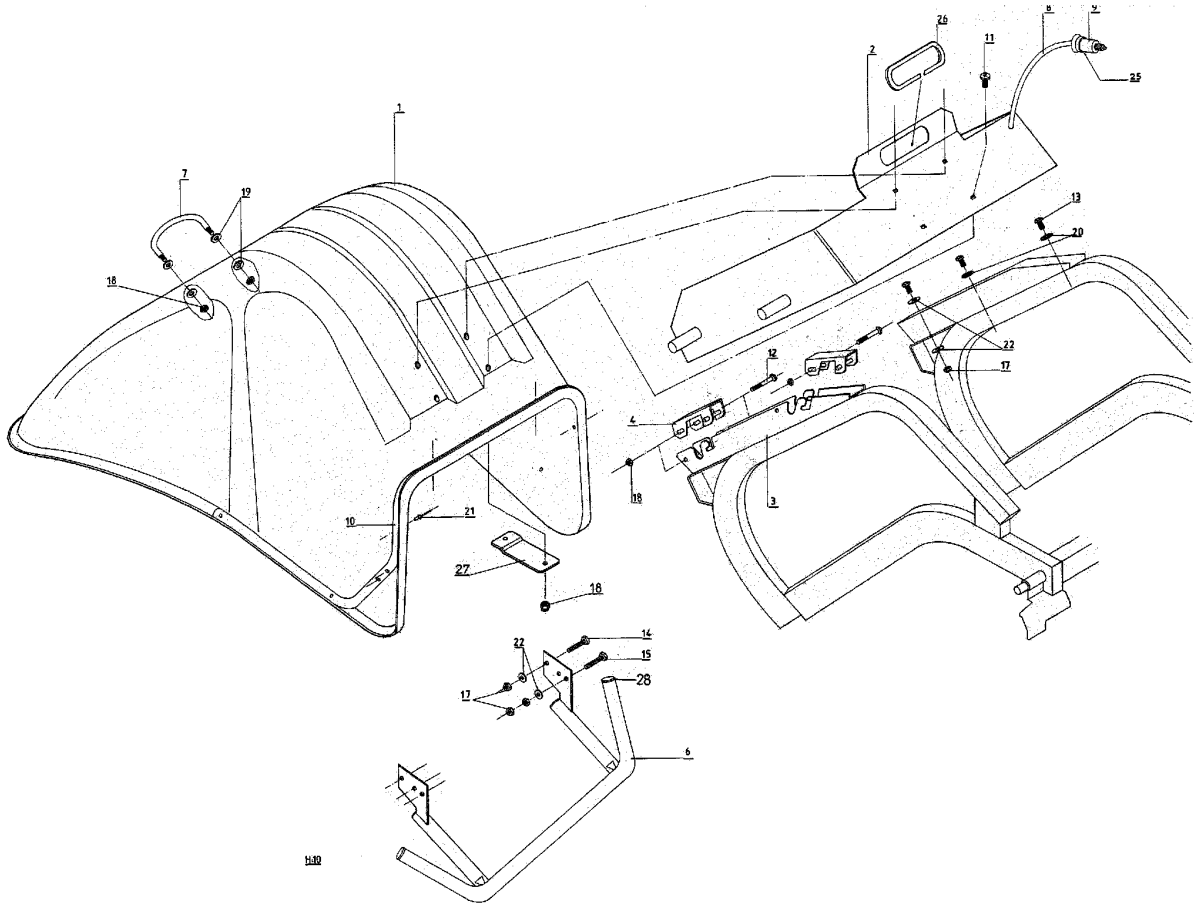
40.01



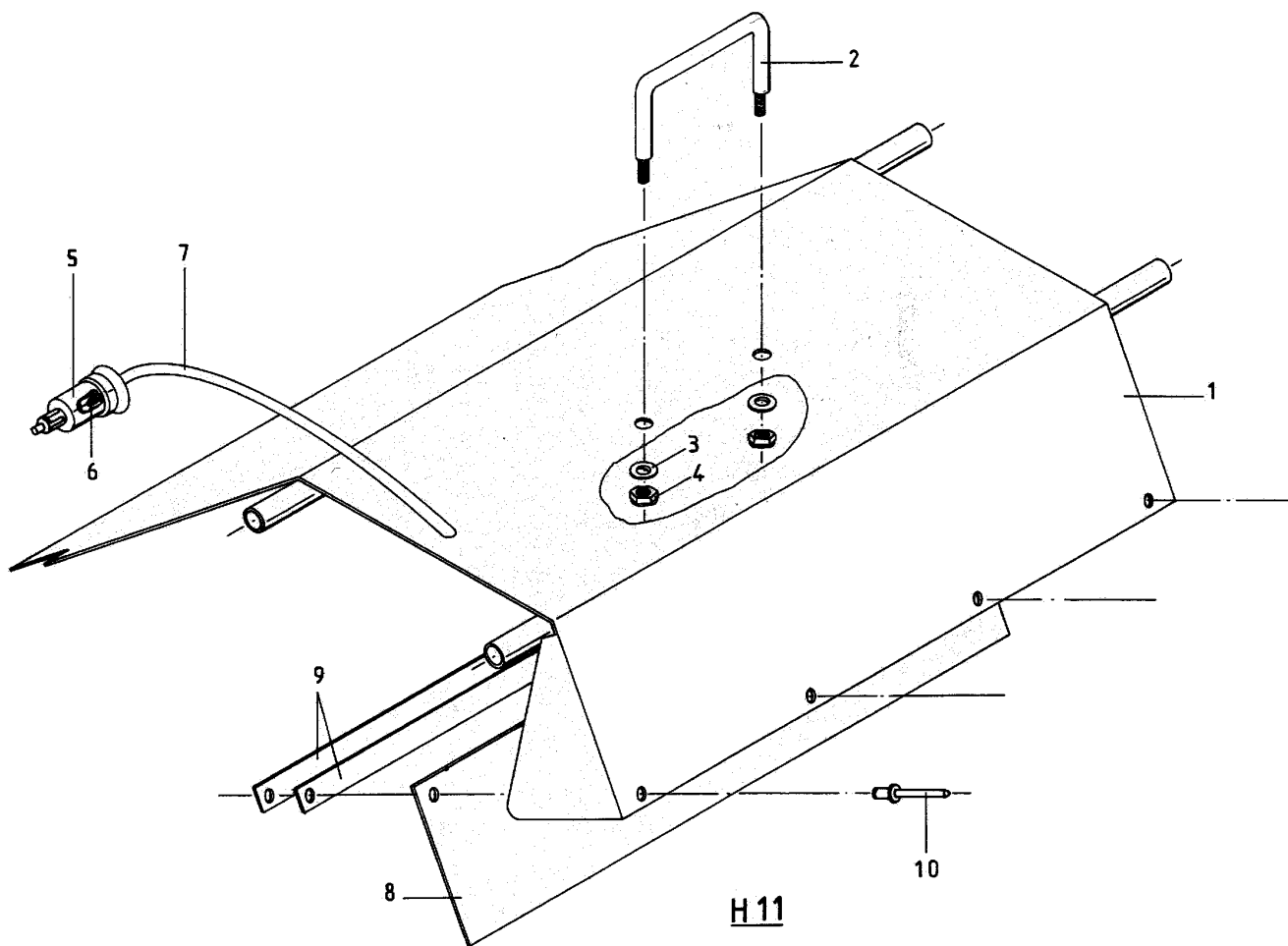
VANGUARD

Number	Part Number	Name	Quantity
1	25822	FEMALE 2 WIR.CONNEC	1,000
2	25781	ROLLER MICROSWITCH	1,000
3	25785	EMBELIS.KEY CONT.BS	1,000
7	25816	MOUNTING FRAME	1,000
10	25811	12V RELAY	1,000
11	25819	12V REVERSING RELAY	1,000
12	25800	-> 100217	1,000
14	25820	TYPE 235 12V HOUR C	1,000
17	25803	PLUG FUSE HOLDER	1,000
18	25798	LEVER MICROSWITCH	1,000
20	25582	HEADLIGHT	1,000
21	25818	RUBBER FUNNEL 22	1,000
22	25797	MVEHH WIRING HARNES	1,000
24	16604	RELAY STARTER KIT	1,000
26	71112	DIA.4X18 STAR RIVET	1,000
27	28388	SET OF 2 KEY	1,000
30	2235	WASHER A6.4	1,000
31	71201	NUT M6	1,000
32	37997	SCREW HM6-16 8.8	1,000
33	71001	NUT 1/4"	1,000
35	37996	SCREW HM5-16 8.8	1,000
36	37561	NUT	1,000
38	20693	HEX.SCREW HM6X25	1,000
39	25815	LIGHT BULB 21 W	1,000
40	25826	FUSE 8A 12V	1,000
41	71087	SCREW 3-25 HM	1,000
42	71012	NUT AUTO.HM3	1,000
43	28384	KEY CONTACTOR	1,000
46	25575	PROTECTION	1,000
47	71200	SCREW M5	1,000
49	25780	SWITCH WASHER	1,000
50	25961	SEAT CONTACT	1,000
51	25804	RUBBER FUNNEL 28	1,000
52	21119	COLLAR 260 MM	1,000
53	7915	RING	1,000
54	25097	CLUTCH FLEX	1,000
55	25825	PRE-INSULATED SPADE	1,000
56	25776	RELAY CAN	1,000
58	25749	BLADE SWITCH HYD	1,000
59	25786	INSERT BLADE	1,000
60	25748	LIGHT SWITCH	1,000

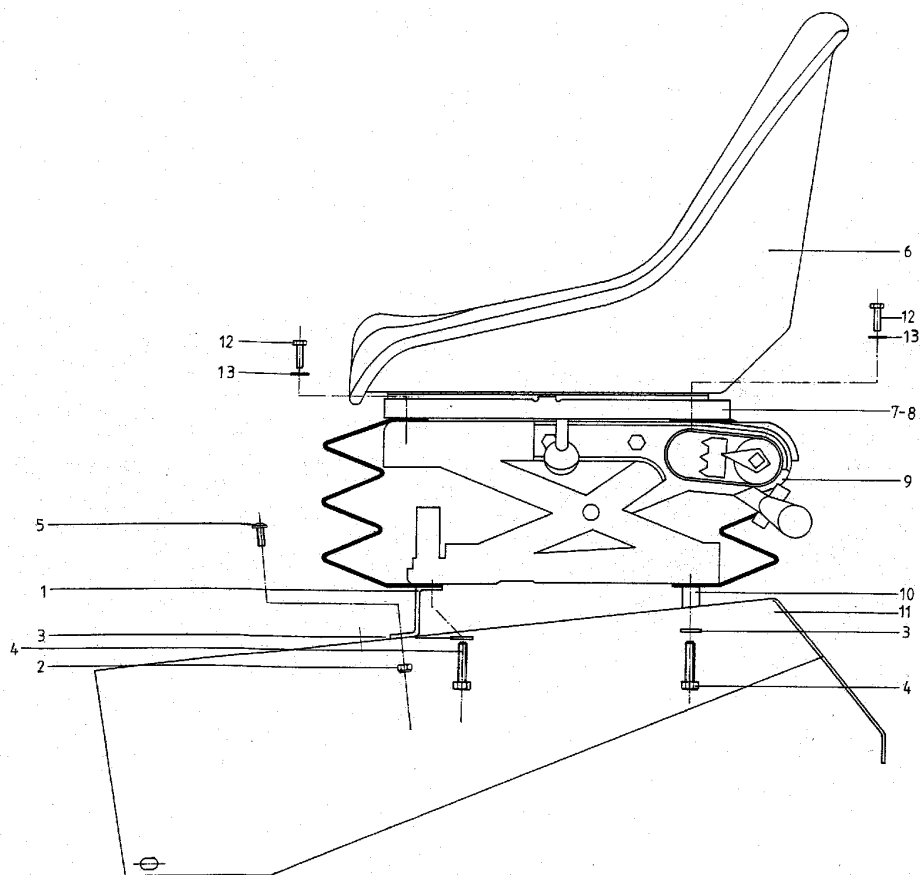
Number	Part Number	Name	Quantity
61	25789	INSERT LIGHTS	1,000
62	25817	COVER	1,000
63	25782	INSERT OIL	1,000
65	1557	NUT HM6	1,000
66	22011	BOLT M 8X20	1,000
67	7094	FLAT WASHER	1,000



Number	Part Number	Name	Quantity
1	26079	DEFLECTOR MOD. 91	1,000
2	26763	DEFLECTOR BRACKET	1,000
3	27056	-> 51120 + 51121	1,000
4	26817	SHEET LATCH H.	1,000
6	26755	BUMPER, COMPLETE	1,000
7	7369	HANDLE	1,000
8	26081	NYLON WIRE	1,000
9	25792	MALE 2 WIRE CONNECT	1,000
10	26080	DEFLECT. BOW MOD.91	1,000
11	71044	CAP SCREW,DIN 912-8	1,000
12	71239	HEX.SCREW HM6X45	1,000
13	71413	SCREW HM 8-20	1,000
14	5340	HEXAGON SCREW,DIN 9	1,000
15	21687	HEXAGON SCREW,DIN 9	1,000
17	71205	SCREW M8	1,000
18	71201	NUT M6	1,000
19	22029	FLAT WASHER 6,5	1,000
20	71343	SPRING WASHER A8	1,000
21	71113	NAIL RIVET, DIA. 4X	1,000
22	7335	WASHER	1,000
25	26084	SHORT CIRCUIT WIRE	1,000
26	28254	PROTECT.COATING 690	1,000
27	26072	REINFORCEMENT PLATE	1,000
28	29647	CAP DIA.30	1,000

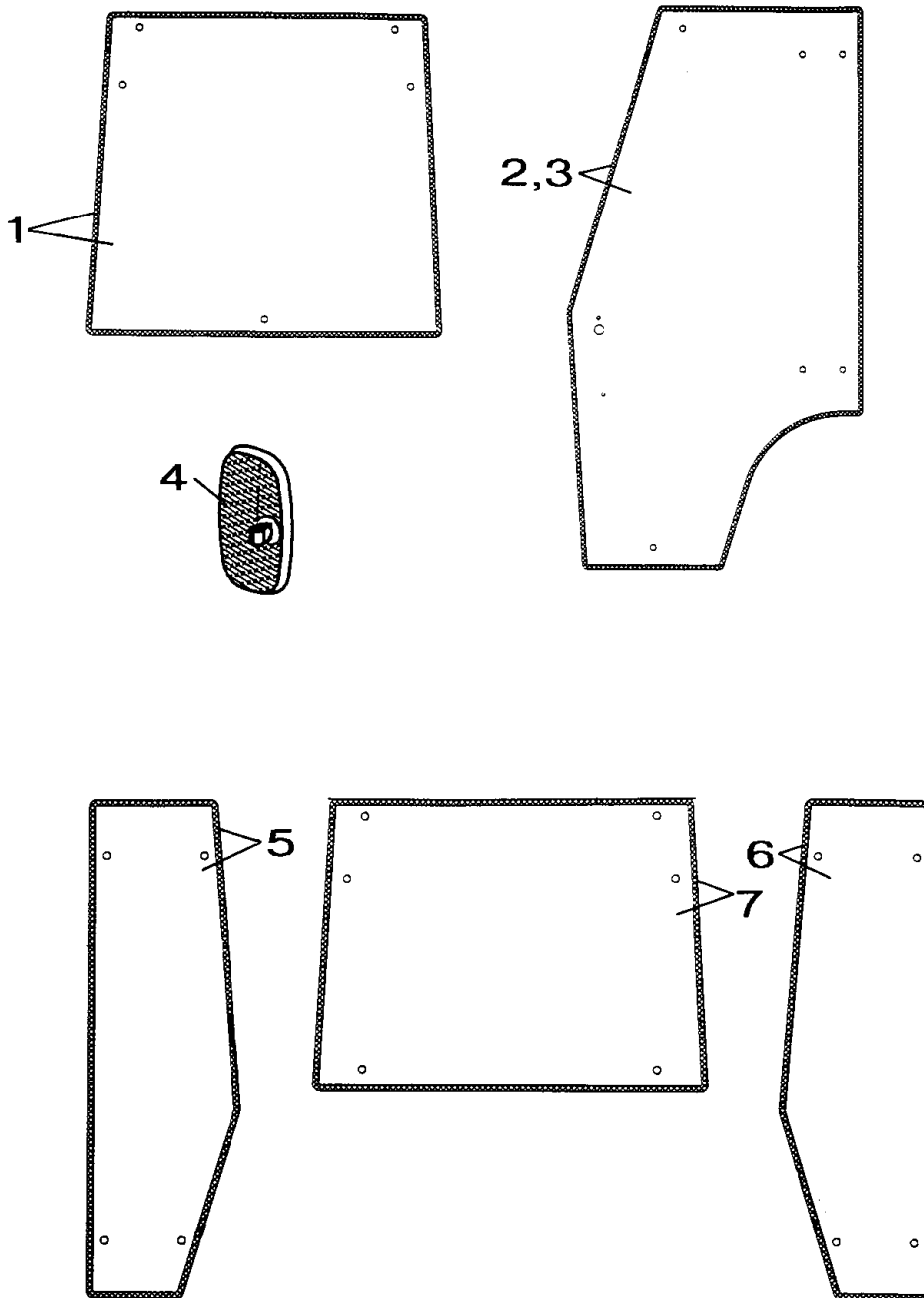


Number	Part Number	Name	Quantity
1	MDPRO	PROF. DEFLECTOR	1,000
2	7369	HANDLE	1,000
3	22029	FLAT WASHER 6,5	1,000
4	71201	NUT M6	1,000
5	25792	MALE 2 WIRE CONNECT	1,000
6	26084	SHORT CIRCUIT WIRE	1,000
7	26081	NYLON WIRE	1,000
8	26089	DEFLECTOR FLAP	1,000
9	26034	COUNTER-HINGE	1,000
10	71113	NAIL RIVET, DIA. 4X	1,000



Number	Part Number	Name	Quantity
1	25960	SEAT SUPPORT	1,000
2	71201	NUT M6	1,000
3	7335	WASHER	1,000
4	7038	SCREW,DIN933 H M 8X	1,000
5	37997	SCREW HM6-16 8.8	1,000
6	25950	SEAT	1,000
7	25959	LH SEAT GUIDE	1,000
8	25953	RH SEAT GUIDE	1,000
9	-	-	1,000
10	25012	RUBBER WASHER	1,000
11	25154	CENTREAL HOOD HYDRO	1,000
12	20507	BOLT HM 6X20	1,000
13	2235	WASHER A6.4	1,000

50.01



Number	Part Number	Name	Quantity
1	25481	FR.GLASS+ENCLOSURE	1,000
2	25482	R.DOOR GLASS+ENCLOS	1,000
3	25483	L.DOOR GLASS+ENCLOS	1,000
4	25487	MIRROR	1,000
5	25484	L.REAR GLASS+ENCLOS	1,000
6	25485	R.REAR GLASS+EINFAS	1,000
7	25486	REAR GLASS+ENCLOSUR	1,000